

HELPFUL TIPS

- ✦ There is no need to remove the Wovel Blade to install and/or use any Wovel accessories; in fact, the Chipper Plate is designed to be used with the Wovel Blade.
- ✦ Disregard the set of round holes near the bottom of the Lower Body Assembly: Use only the **square holes** on the Lower Body Assembly to mount the Chipper Plate and Gravel Wheels as indicated in the assembly instructions on the other side of this sheet.
- ✦ It is not recommended that the Chipper Plate and the Gravel Wheels be attached and/or used at the same time.
- ✦ The Gravel Wheels Assembly is typically attached through the **upper** set of square holes at the bottom of the Lower Assembly; however, if you would like the Wovel Blade lower to the ground, attach the Gravel Wheels Assembly to the Lower Body Assembly using the **bottommost** set of square holes on the Lower Body Assembly.
- ✦ When using the Chipper Plate to remove ice, it is not necessary to keep the Wovel Wheel on the ground. Often, you'll find that with the Chipper Plate attached, lifting the Handle high enough to keep the Wovel Wheel off the ground will facilitate removing icier patches.



Referral Rewards

Refer your friends and earn online credits each time a friend buys one or more Wovels.

Visit our web site

www.wovel.com

for more details

WARRANTY

Your new Wovel is warranted to the original purchaser (and no other owner or operator of the product) against defects in workmanship and materials for a period of one year from the original purchase date. Should there be a defect or malfunction of the product, Structured Solutions II will repair or replace the product, at the option of Structured Solutions II, free of charge. As a condition to the obligation of Structured Solutions II to repair or replace the product, the product must be returned to Structured Solutions II prepaid together with proof-of-purchase satisfactory to Structured Solutions II. All returns must be accompanied by a written statement setting forth the name, address, and daytime telephone number of the owner, together with a brief description of any claimed defects. Parts or product for which replacement is made shall become the property of Structured Solutions II. This warranty is void if the product has been subject to commercial or other unreasonable use; improper operation (including without limitation for the clearing of any substance other than snow), maintenance or storage; modifications through the use of unauthorized parts or attachments; or repair by anyone other than Structured Solutions II or its designee. This warranty does not apply to problems arising from normal wear; from failure to adhere to the enclosed instructions; or from other causes not arising from defects in original material or workmanship. This warranty also does not include adjustments, parts or repairs required by circumstances beyond the control of Structured Solutions II. Any expressed or implied warranties, including but not limited to merchantability and fitness for a particular purpose, are limited to the above-stated one-year warranty period. Structured Solutions II shall not be liable for any incidental, consequential or special cost, expenses or damages resulting from any failure, defect or malfunction of this product. Some states do not allow the exclusion of limitations of implied warranties or incidental, consequential or special damages. Therefore, the above limitations may not apply to you. Structured Solutions II reserves the right to modify or discontinue, without prior notice to you, any model or style product. This warranty grants you specific legal rights, and you may also have other rights that vary from state to state.

THIS WARRANTY IS EXPRESSLY IN LIEU OF ALL OTHER WARRANTIES, EXPRESSED OR IMPLIED, INCLUDING WARRANTIES OF MERCHANTABILITY OR FITNESS FOR A PARTICULAR PURPOSE, ALL SUCH OTHER WARRANTIES BEING HEREBY EXPRESSLY EXCLUDED.

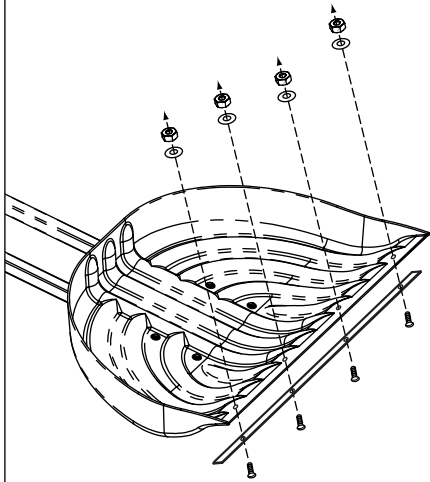
TO REGISTER YOUR WOVEL WARRANTY please go to the Wovel web site at www.wovel.com and complete the online warranty registration form. This warranty may change periodically, so we recommend checking the web site for current information and updates.



ATTACHING THE WEAR STRIP

REQUIRED FOR ASSEMBLY: Flathead screwdriver and pliers (not included)

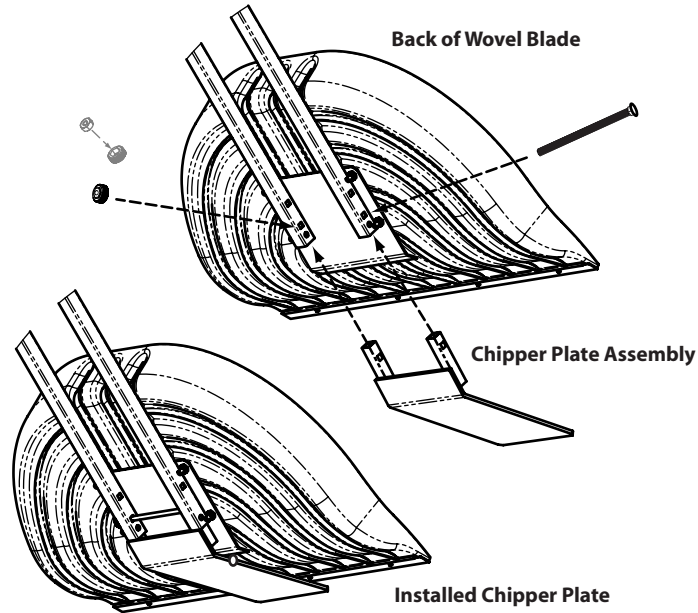
HARDWARE FOR ASSEMBLY: (1) 26-inch long galvanized strip with 4 holes in it, (4) small screws, (4) nylon nuts and (4) washers



- 1 Place the Wear Strip under leading edge of the Wovel Blade so that the Wear Strip extends just beyond the plastic edge and the holes are aligned.
- 2 From the underside of the Wear Strip, insert four small screws through the aligned holes in the Wear Strip and into the leading edge of the Wovel Blade.
- 3 Place one washer, followed by one nylon nut onto each of the four screws and hand tighten each nut.
- 4 Grab each nut with pliers. Using a flathead screwdriver, securely tighten each screw.

ATTACHING THE CHIPPER PLATE

HARDWARE FOR ASSEMBLY: (1) Chipper Plate, (1) 6-1/2" carriage bolt, (1) 1/4" nut and (1) hex-recessed plastic knob

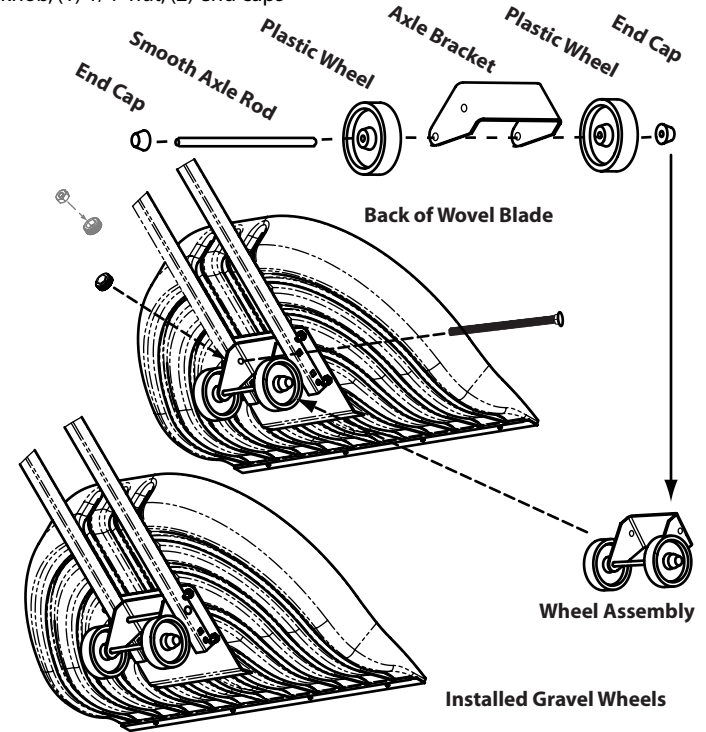


- 1 Insert each of the two protruding ends of the Chipper Plate Assembly into each tube of the Lower Assembly, as shown in the illustration, and align the set of **square** holes on Chipper Plate Assembly with the bottommost set of **square** holes on the Lower Assembly.
- 2 Insert the carriage bolt through the bottommost set of **square** holes in the Lower Body Assembly and the Chipper Plate Assembly holes.
- 3 Insert the 1/4" nut into hex-recessed plastic knob.
- 4 Attach the nut-filled plastic knob onto the carriage bolt with the knob against the Lower Assembly and tighten the plastic knob by hand.

ATTACHING THE GRAVEL WHEELS

RECOMMENDED FOR ASSEMBLY: Hammer

HARDWARE FOR ASSEMBLY: (1) Axle Bracket, (2) Plastic Wheels, (1) 6-1/2" smooth axle rod, (1) 6-1/2" carriage bolt, (1) hex-recessed plastic knob, (1) 1/4" nut, (2) end caps

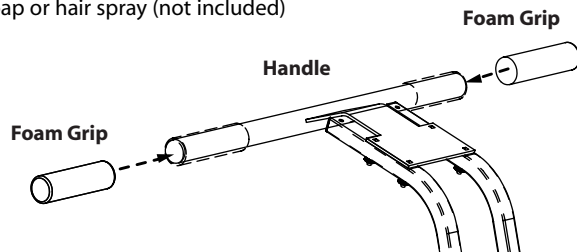


- 1 Press one end cap onto one end of the smooth axle rod and tap lightly with a hammer or against a hard surface to seat it fully.
- 2 Slip a Plastic Wheel onto the other end of the smooth axle rod and through the set of holes in the ends of the Axle Bracket.
- 3 Insert the other Plastic Wheel through the open end of smooth axle rod.
- 4 Press the second end cap onto the second Plastic Wheel and tap lightly with a hammer or against a hard surface to seat it fully.
- 5 Place this Wheel Assembly under the Wovel Blade directly above where the tubes meet the Lower Body Assembly Plate, as shown in the illustration, and align the Wheel Assembly with the **upper** set of **square** holes in the Lower Body Assembly.
- 6 Insert the carriage bolt through the **upper** set of **square** holes in the Lower Body Assembly and through the Axle Bracket.
- 7 Insert the 1/4" nut into the hex-recessed plastic knob.
- 8 Attach the nut-filled plastic knob onto the carriage bolt with the knob against the Lower Assembly and tighten the plastic knob by hand.

ATTACHING THE FOAM HANDLES

REQUIRED FOR ASSEMBLY: Dish soap or hair spray (not included)

- 1 Using dish soap or hair spray, lightly coat the inside of each Foam Grip.
- 2 Slide each Foam Grip onto each end of the Handle until the Foam Grips are flush against the ends of the Handle.



Referral Rewards

Refer your friends and earn online credits each time a friend buys one or more Wovels.

Visit our web site
www.wovel.com
for more details

NOTE: The Wovel Accessory Pack contains a few extra hardware parts. To get the most out of your Wovel Accessories, please read the tips on the other side of this sheet or visit us online at www.wovel.com.