

Wovel Specification Sheet

2005-6 Season

Manufacturer:

Structured Solutions II LLC

MSRP: \$119.95

Color: Black

Shipping: Ships in one box – 35 x 35 x 7

Assembly: 5-8 minutes with included Allen wrench

Available Accessories:

Chipper Plate (for ice/hardpack)

Gravel Shoes (keeps blade off gravel/dirt/stone surfaces)

Foam Handle Grips

Wear strip (for extended shovel blade wear)



Handle:

Construction: 1 1/2" tubular steel and welded 3/16" steel plate

Finish: Black powder coated

Weight: 5.5 lbs

Wovel Body:

Construction: 1"x1" tubular steel and welded steel plates

Finish: Black powder coat

Weight: 11.5 lbs

Wheel:

Construction: injection molded co-polymer polypropylene

Weight: 6.5 lbs

Tire:

Construction: molded non-pneumatic

Shovel Blade:

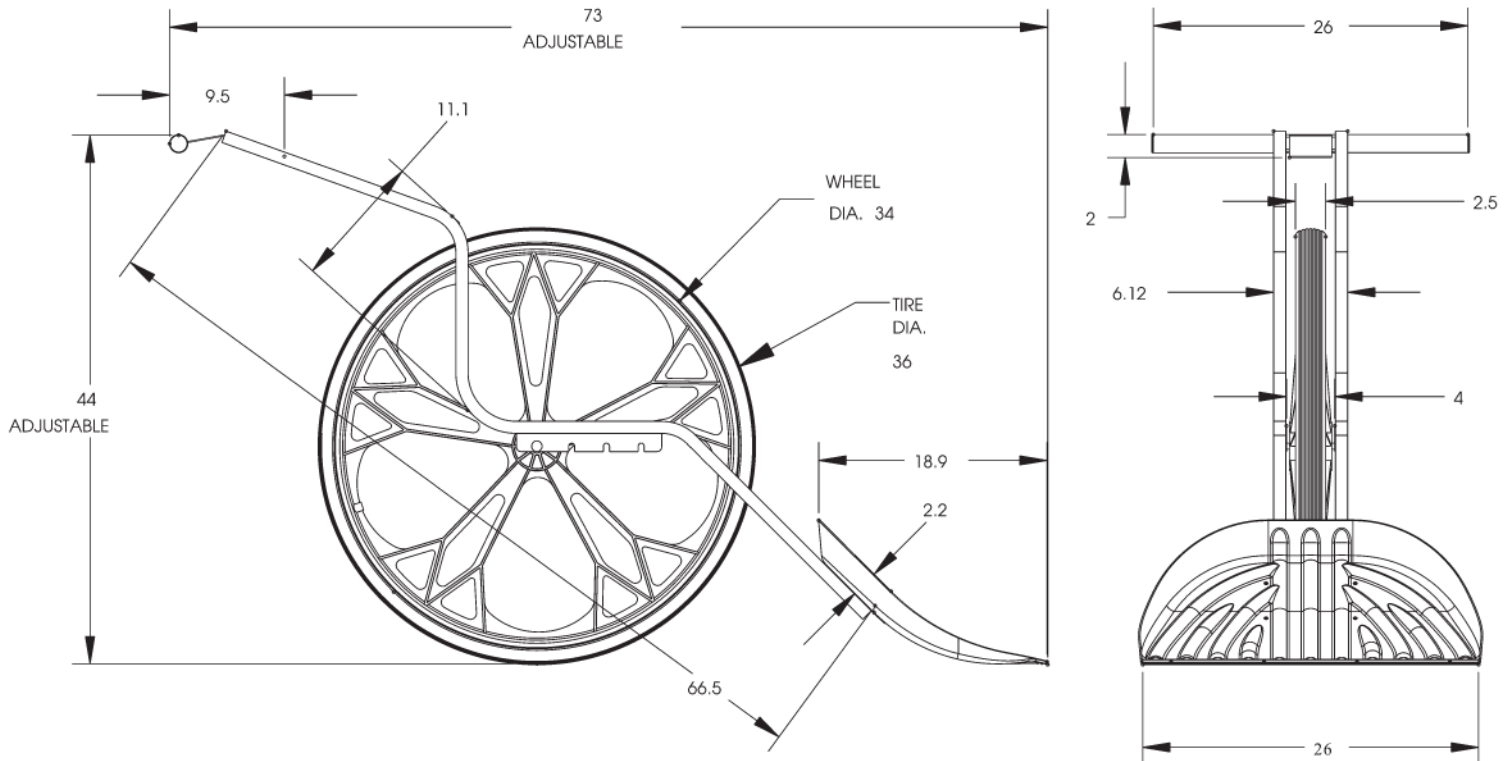
Construction: injection molded co-polymer polypropylene

Weight: 3.5 lbs

Axle and Hardware:

Construction: steel axle and hardware

All hardware attaches with included Allen wrench and wing nuts (no other tools required)



Wovel is a trademark of Structured Solutions II LLC. Designed and Manufactured by Structured Solutions II LLC. Patent Pending.

Copyright 2005. Structured Solutions II LLC 55 St. John Place Suite 201 New Canaan, CT 06840

Tel: 203 972 5717 Fax: 203 966 3541 TOLL FREE: 877 598 2599 www.wovel.com